

KINDER

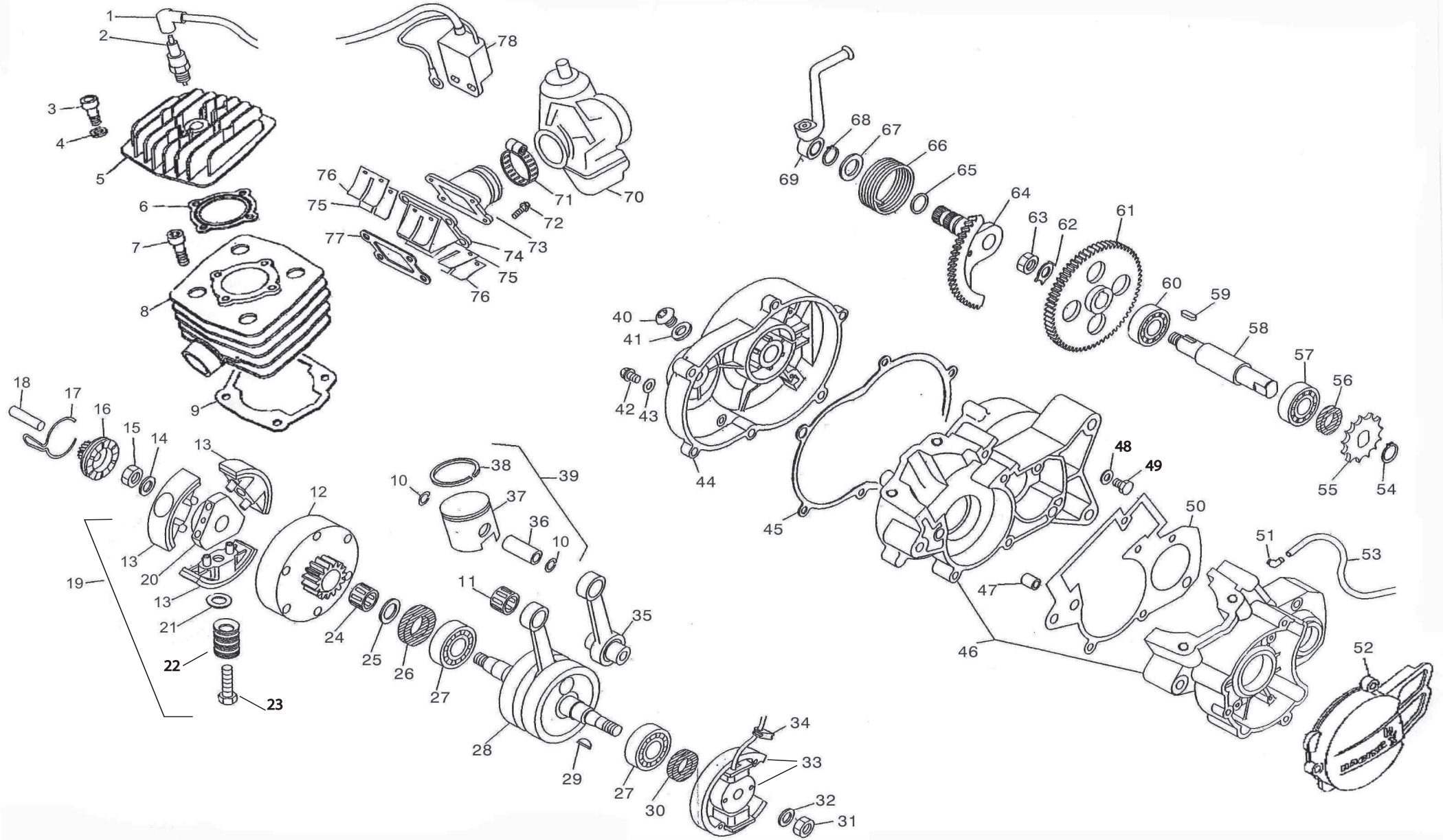
CATALOGO DE PIEZAS DE REPUESTOS



03-2009



Beta
ITALIAN BRAND 



Pag. 3
MOTOR MINICROSS

03-2009



Beta
ITALIAN BRAND

| POS | DESCRIPTION | CODE | POS | DESCRIPTION | CODE |
|-----|------------------------------------|--------------|-----|--------------------------------|--------------|
| 1 | CAPUCHON BUJIA | 402713514 | 37 | PISTON D 40 RS | 402580264B1 |
| 2 | BUJIA | 401225123 | 38 | ARO PISTON D 40X1 | 402860160B1 |
| 3 | TORNILLO ALLEN 6X30 | 403145000 | 39 | PISTON COMPL. D 40 RS | 4025034158B1 |
| 4 | ARANDELLA 6X13 | 402740500 | 40 | TAPON CARGA ACEITE | 402910290 |
| 5 | TAPA CILINDRO PRO RACE USA 50 CC | 402912034B1 | 41 | ARANDELA FIBRA 16X22,5X1 | 401653600 |
| 6 | JUNTA TAPA CILINDRO | 401664100 | 42 | TORNILLO NIVEL ACEITE 6X10 | 401146501 |
| 7 | BULON 8X20 | 403163890 | 43 | ARANDELA 6X10 | 402740490 |
| 8 | CILINDRO PRO-RACE USA 50 CC | 401252501B1 | 44 | TAPA EMBRAGUE | 4,01262E+11 |
| 9 | JUNTA CILINDRO CARTER | 401661750 | 45 | JUNTA TAPA EMBRAGUE | 401671580 |
| 10 | SEGURO PERNO PISTON | 401042010 | 46 | CARTER COMPL. | 401206311 |
| 11 | RODAMIENTO RODILLO 12X15X15 | 401611500 | 47 | PERNO POSICIONADOR 9X10 | 401636500 |
| 12 | TRANSMISION PRIMARIA C/CAMPANA | 4018096468 | 48 | ARANDELA CUBRE 10X15X1 | 401650510 |
| 13 | PATIN EMBRAGUE PRO-RACE | 402230105B1 | 49 | TORNILLO ESPEC.10X1,5X10 | 401158000 |
| 14 | ARANDELLA 10X17 | 402758500 | 50 | JUNTA CARTER | 401655050 |
| 15 | TUERCA ESPECIAL 10X1,25X6 | 401320200 | 51 | CODO MANGUERA VENDEO | 402723380 |
| 16 | ENGRANAJE ARRANQUE | 402214540 | 52 | TAPA VOLANTE MAGNETICO | 4,0127E+11 |
| 17 | RESORTE ENGRANAJE ARRANQUE | 402258040 | 53 | MANGUERA VENDEO | 402915813B1 |
| 18 | EJE ENGRANAJE ARRANQUE | 402543911 | 54 | SEEGER 15 E | 402823600 |
| 19 | EMBRAGUE COMPLETO PRO RACE | 4015088718B1 | 55 | PIÑON Z9 | 402561112 |
| 20 | CENTRO EMBRAGUE PRO RACE | 402290019B1 | 55 | PIÑON Z10 | 402561111 |
| 21 | ARANDELA PLANA EMBRAGUE PRO RACE | 402758062B1 | 55 | PIÑON Z11 | 402561110 |
| 22 | JGO. ARAND. RESORTE EMBR. PRO RACE | 402231995B1 | 55 | PIÑON Z12 | 402561300 |
| 23 | TORNILLO ESP. EMBR.PRO-RACE | 401149511B1 | 55 | PIÑON Z13 | 402564300 |
| 24 | RODAMIENTO RODILLO 15X18X17 | 401612905 | 56 | RETEN 15X24X5 | 401054000 |
| 25 | ARANDELA 15X25 | 402764500 | 57 | RODAMIENTO 15X35X11 | 401294000 |
| 26 | RETEN 15X35X7 | 401062020 | 58 | ARBOL PRIMARIO | 401026150 |
| 27 | RODAMIENTO 17X40X12 NTN | 401295601 | 59 | CHAVETA 5X5X12 | 401246160 |
| 28 | CIGÜEÑAL COMPLETO | 401000724 | 60 | RODAMIENTO 15X35X11 | 401294000 |
| 29 | CHAVETA 2,5X3,7 | 401245000 | 61 | TRANSMISION PRIMARIA C/CAMPANA | 4012906508 |
| 30 | RETEN 15X24X7 | 401056010 | 62 | SEGURO TUERCA TRANSM. | 402774760 |
| 31 | TUERCA 10X1,25X6 | 401319020 | 63 | TUERCA ESPEC. 14X1,25X7 | 401328950 |
| 32 | ARANDELA 10X17 | 402758500 | 64 | EJE PALANCA DE ARRANQUE | 402205081 |
| 33 | VOLANTE MAGNETICO COMPL. | 403103264 | 65 | O'RING 12,5X15,5X1,5 | 401056000 |
| 34 | GOMA PASACABLE VOLANTE MAGN. | 401633510 | 66 | RESORTE PALANCA ARRANQUE | 402279040 |
| 35 | BIELA COMPL. | 4011037418 | 67 | ARANDELA 16X25 | 402767500 |
| 36 | PERNO PISTON | 402893610 | 68 | SEEGER 15 E | 402823600 |

Pag. 4
MOTOR MINICROSS

03-2009

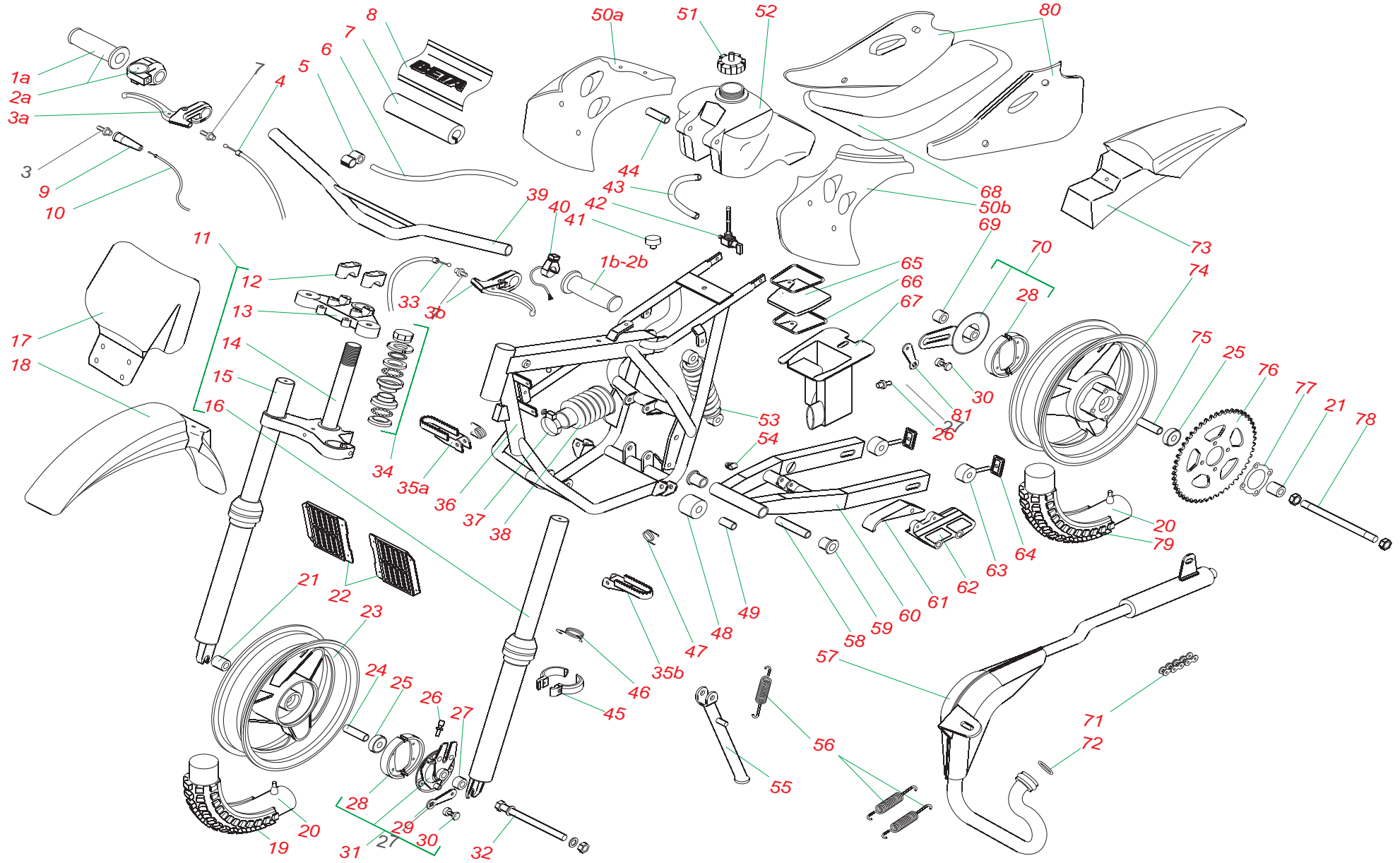


Beta
ITALIAN BRAND

| POS | DESCRIPTION | CODE | POS | DESCRIPTION | CODE |
|--------------------------|-------------------------|-------------|-----|-------------|------|
| 69 | PALANCA DE ARRANQUE | 402155112 | | | |
| 70 | CARBURADOR PHBG Ø19 | 401205061 | | | |
| 71 | ABRAZADERA 25-37 | 401515370B1 | | | |
| 72 | TORNILLO ALLEN 6X20 | 401149070 | | | |
| 73 | BRIDA CARBURADOR | 402723051 | | | |
| 74 | VALVULA ADMISION COMPL. | 403102140 | | | |
| 75 | LAMINA VALVULA ADMISION | 402115360 | | | |
| 76 | PLACA PORTA LAMINA | 402559670 | | | |
| 77 | JUNTA VALVULA ADMISION | 401692550 | | | |
| 78 | BOBINA | 401120631 | | | |
| S/NUMERO JUEGO RETENES | | 4028068858 | | | |
| S/NUMERO JUEGO DE JUNTAS | | 4028080758 | | | |

BETAMOTOR ARGENTINA S.A.

WILLIAM MORRIS 460 (1603)
VILLA MARTELLI PCIA. BS.AS.
TEL. +54 11 4709-9210
REPLUESTOS@BETAMOTOR.COM.AR
WWW.BETAMOTOR.COM.AR



Pag. 6
CUADRO KINDER

03-2009



Beta
ITALIAN BRAND

| POS | DESCRIPTION | CODE | POS | DESCRIPTION | CODE |
|-----|---|------------|-----|--|------------|
| 1 | PUÑOS MINICROSS JUEGO | 1603004001 | 37 | ABRAZADERA 50-70 FUELLE CAJA FILTRO KINDER | 2300054001 |
| 2 | COMANDO ACELERADOR C/PUÑOS MINICROSS | 1602004001 | 38 | FUELLE CARBURADOR KINDER | 2300044001 |
| 3 | COMANDOS FRENOS MINICROSS JUEGO | 1601004001 | 39 | MANUBRIO ACERO MINICROSS | 1600014001 |
| 4 | CABLE FRENO DEL. KINDER | 2500024001 | 40 | PULSADOR PARE MOTOR MINICROSS | 1900014001 |
| 5 | SOPORTE MANGUERA VENITEO MINICROSS | 3100044001 | 41 | TOPE GOMA CABALLETE NEOS | 1000062001 |
| 6 | MANGUERA VENITEO MINICROSS | 2200054001 | 42 | GRIFO COMBUSTIBLE MINICROSS | 2200034001 |
| 7 | ISOLENE PAD MANUBRIO MINICROSS | 1600024001 | 43 | MANGUERA COMBUSTIBLE NEOS | 2200042001 |
| 8 | CUBRE PAD MANUBRIO MINICROSS | 1600034001 | 44 | BUJE TANQUE COMBUSTIBLE MINICROSS | 2200064001 |
| 9 | CUBRE REGULADOR ACELERADOR MINICROSS | 1602014001 | 46 | PASACABLE SUP. HORQUILLA MINICROSS | 3100024001 |
| 10 | CABLE ACELERADOR KINDER | 2500014001 | 47 | RESORTE PEDALIN MINICROSS | 1000034001 |
| 11 | HORQUILLA COMPL. KINDER | 1101004001 | 48 | RODILLO GUIACADENA MINICROSS | 2400034001 |
| 12 | SOPORTE MANUBRIO NEOS | 1101032001 | 49 | DISTANCIADOR RODILLO GUIACADENA MINICROSS | 2400044001 |
| 13 | CABEZAL HORQUILLA NEOS | 1101022001 | 50 | CACHAS DEL. MINICROSS JUEGO | 1501004001 |
| 14 | CRUCETA C/VELA KINDER | 1101014001 | 51 | TAPA TANQUE COMBUSTIBLE MINICROSS | 2200024001 |
| 15 | PIERNA DER. HORQUILLA KINDER | 1102004001 | 52 | TANQUE COMBUSTIBLE S/GRIFO MINICROSS | 2200014001 |
| 16 | PIERNA IZQ. HORQUILLA KINDER | 1103004001 | 53 | AMORTIGUADOR KINDER | 1200014001 |
| 17 | PLACA PORTA NUMERO MINICROSS | 1500014001 | 54 | ABRAZADERA CABLE FRENO TRAS. MINICROSS | 3100034001 |
| 18 | GUARDABARRO DEL. MINICROSS | 1500024001 | 54 | PASACABLE INF. HORQUILLA MINICROSS | 3100024001 |
| 19 | CUBIERTA DEL. 2.5 X 10" MINICROSS | 1300014001 | 55 | SOSTEN LATERAL KINDER | 1000024001 |
| 20 | CAMARA 2.75-3.00 X 10" MINICROSS | 1300034001 | 56 | RESORTE TROMBON MINICROSS | 2100024001 |
| 21 | BUJE DEL. DER. TRAS. IZQ. RUEDA KINDER | 1300044001 | 57 | TROMBON ESCAPE KINDER | 2100014001 |
| 22 | GRILLAS RADIADOR MINICROSS JUEGO | 1503004001 | 58 | DISTANCIADOR HORQUILLON KINDER | 1001024001 |
| 23 | LLANTA DEL. S/RODAMIENTOS KINDER | 1301014001 | 59 | BUJE NYLON HORQUILLON KINDER | 1001034001 |
| 24 | DISTANCIADOR RODAMIENTOS LLANTA DEL. KINDER | 1301024001 | 60 | HORQUILLON KINDER | 1001014001 |
| 25 | RODAMIENTO 6201 LLANTA NEOS | 1301012001 | 61 | GUIACADENA SUP. MINICROSS | 2400024001 |
| 26 | REGULADOR CABLE PLATO FRENO KINDER | 1400014001 | 62 | GUIACADENA INF. COMPL. MINICROSS | 2401004001 |
| 27 | BUJE DEL. IZQ. RUEDA KINDER | 1300054001 | 63 | ESTIRA CADENA NEOS | 2400042001 |
| 28 | CINTAS FRENO KINDER JUEGO | 1403004001 | 64 | PLACA ESTIRACADENA NEOS | 2400052001 |
| 29 | LEVA PLATO FRENO DEL. KINDER | 1401014001 | 65 | FILTRO AIRE KINDER | 2300024001 |
| 30 | EVITA SOLDADURA PLATO FRENO KINDER | 1401024001 | 66 | ARMAZON FILTRO AIRE KINDER | 2300034001 |
| 31 | PLATO FRENO DEL. COMPL. KINDER | 1401004001 | 67 | CAJA FILTRO KINDER | 2300014001 |
| 32 | EJE RUEDA DEL. NEOS | 1300042001 | 68 | ASIEN TO KINDER | 2900014001 |
| 33 | CABLE FRENO TRAS. KINDER | 2500034001 | 69 | BUJE TRAS. DER. RUEDA KINDER | 1300064001 |
| 34 | CUBETAS DIRECCION NEOS JUEGO | 2701002001 | 70 | PLATO FRENO TRAS. COMPL. KINDER | 1402004001 |
| 35 | PEDALINES MINICROSS JUEGO | 1002004001 | 71 | CADENA 1/2 X 3/16 X 94 PASOS NEOS | 2400012001 |
| 36 | CUADRO KINDER | 1000014001 | 72 | O'RING 2-124 SILICONA TROMBON MINICROSS | 2100034001 |

Pag. 7
CUADRO KINDER

03-2009



Beta
ITALIAN BRAND

| POS | DESCRIPTION | CODE | POS | DESCRIPTION | CODE |
|-----|--|------------|-----|-------------|------|
| 73 | GUARDABARRO TRAS. MINICROSS | 1500034001 | | | |
| 74 | LLANTA TRAS. S/RODAMIENTO KINDER | 1302014001 | | | |
| 75 | DISTANCIADOR RODAMIENTOS LLANTA TRAS. KINDER | 1302024001 | | | |
| 76 | CORONA Z42 KINDER | 2400014001 | | | |
| 77 | SEGURO CORONA NEOS | 2400032001 | | | |
| 78 | EJE RUEDA TRAS. NEOS | 1300052001 | | | |
| 79 | CUBIERTA TRAS. 2.75 X 10" MINICROSS | 1300024001 | | | |
| 80 | CACHAS TRAS. MINICROSS JUEGO | 1502004001 | | | |
| 81 | LEVA PLATO FRENO TRAS. KINDER | 1402014001 | | | |
| | S/NUMERO CALCOS MINICROSS JUEGO | 3001004001 | | | |

BETAMOTOR ARGENTINA S.A.

WILLIAM MORRIS 460 (1603)
VILLA MARTELLI PCIA. BS.AS.
TEL. +54 11 4709-9210
REPLUESTOS@BETAMOTOR.COM.AR
WWW.BETAMOTOR.COM.AR